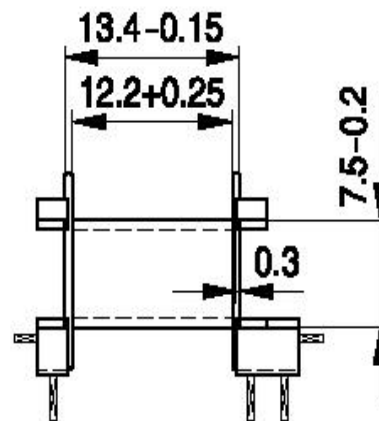
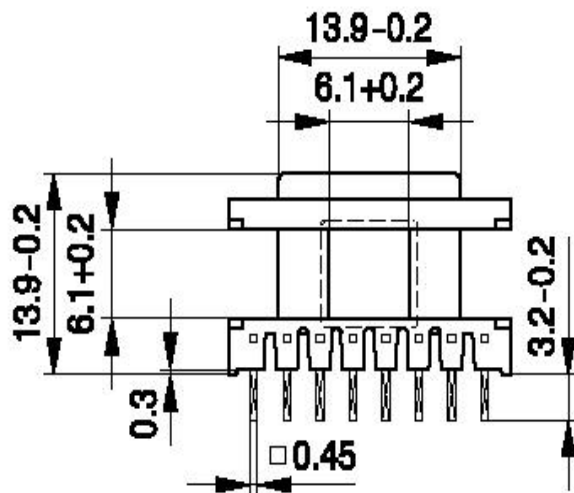


Figure 1, coil former (12 pins)



Hole arrangement
View in mounting direction

